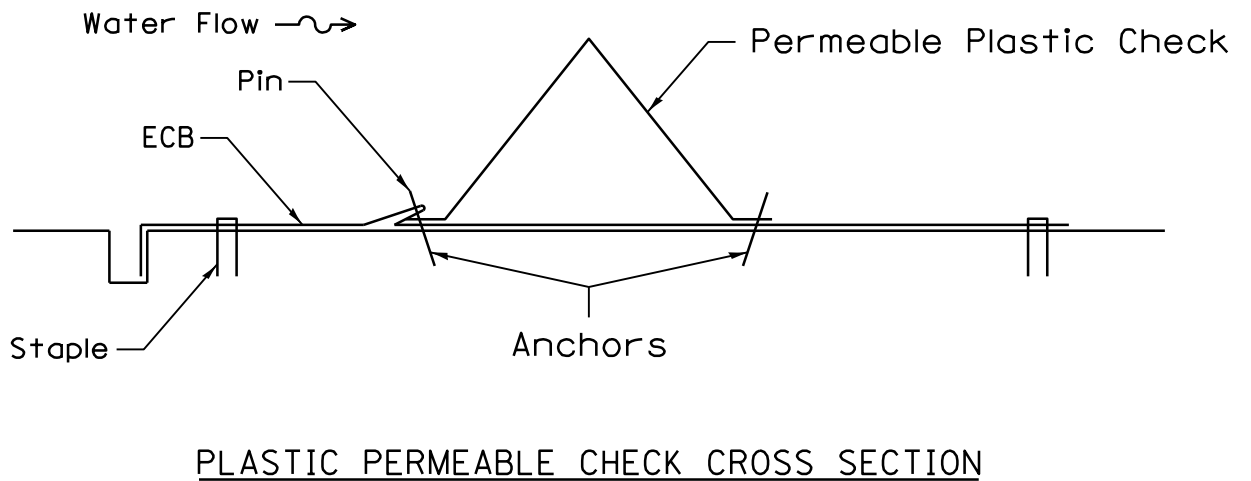
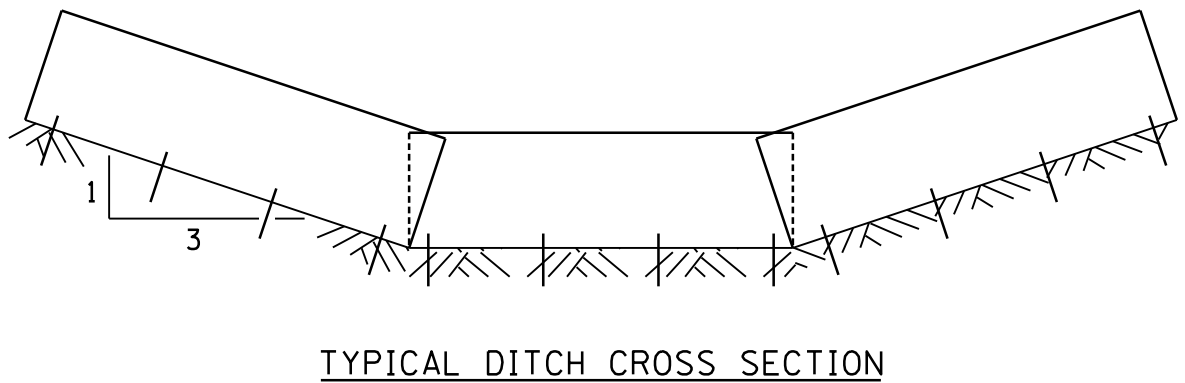
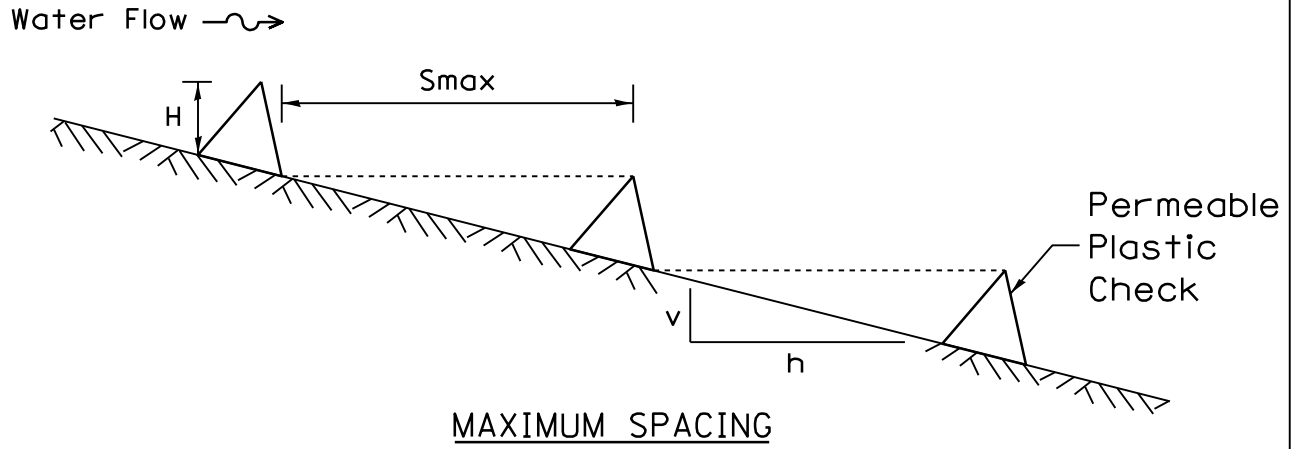


PLASTIC PERMEABLE CHECKS



REFERENCE			
Project	_____	Date	_____
Designed	_____	Date	_____
Checked	_____	Date	_____
Approved	_____	Date	_____



STANDARD DWG. NO.
IUM-514
SHEET 1 OF 1
DATE 6-30-11